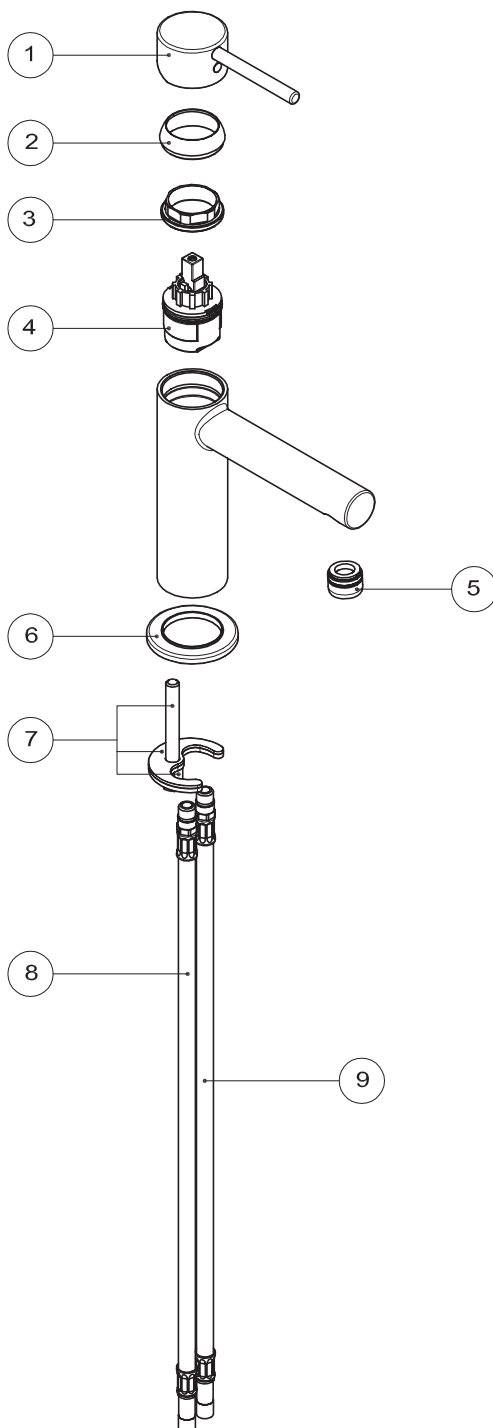


Spare Parts





Design

Art: 1381030, 1381035, 1381040, 1381042, 1381095

SCETCH NO	SPARE PART NO	DESIGN TVÄTTSTÄLLSBLANDARE	DESIGN WASH BASIN MIXER
1	9209570 9209630 9209684	DESIGN ENGREPPSHANDTAG DESIGN ENGREPPSHANDTAG ROSÉ DESIGN ENGREPPSHANDTAG MIDNIGHT	DESIGN HANDLE DESIGN HANDLE ROSE GOLD DESIGN HANDLE MIDNIGHT
2	9209536 9209685	DESIGN DEKORRING KROM DESIGN DEKORRING MIDNIGHT	DESIGN DECOR CAP CROME DESIGN DECOR CAP MIDNIGHT
3	9209580	DESIGN FIXERINGSMUTTER FÖR INSATS	DESIGN LOCK RING FOR CARTRIDGE
4	9209552	DESIGN INSATS 35 MM	DESIGN CARTRIDGE 35 MM
5	9209596 9209632 9209686	DESIGN PERLATOR DESIGN PERLATOR ROSÉ DESIGN PERLATOR MIDNIGHT	DESIGN AERATOR DESIGN AERATOR ROSE GOLD DESING AERATOR MIDNIGHT
6	9209560 9209561 9209562 9209631	DESIGN BOTTENRING KROM DESIGN BOTTENRING VIT DESIGN BOTTENRING SVART/MIDNIGHT DESIGN BOTTENRING ROSÉ	DESIGN BASE RING CROME DESIGN BASE RING WHITE DESIGN BASE RING BLACK/MIDNIGHT DESIGN BASE RING ROSE GOLD
7	9209584	DESIGN MONTERINGSSATS	DESIGN ASSEMBLING KIT
8	9209589	DESIGN ANSLUTNINGSSLANG M10 RÖD	DESIGN FLEX INOX M10 RED
9	9209588	DESIGN ANSLUTNINGSSLANG M10 BLÅ	DESIGN FLEX INOX M10 BLUE



Hafa
Svarvaregatan 5, Box 525
SE-301 80 Halmstad
SWEDEN

Garanti/Warranty.
Service, resevdelar/spare-parts
Sweden: Tel: +46 (0)35 15 44 75
Norway: Tel: +47 69 31 02 30
Finland: Puh: 0207 43 50 00

www.hafa.se
www.hafa.dk
www.hafabad.no
www.hafa.se
www.hafabathroom.ru
www.hafa.eu

E-mail:
service@hafa.se
service@hafabad.no