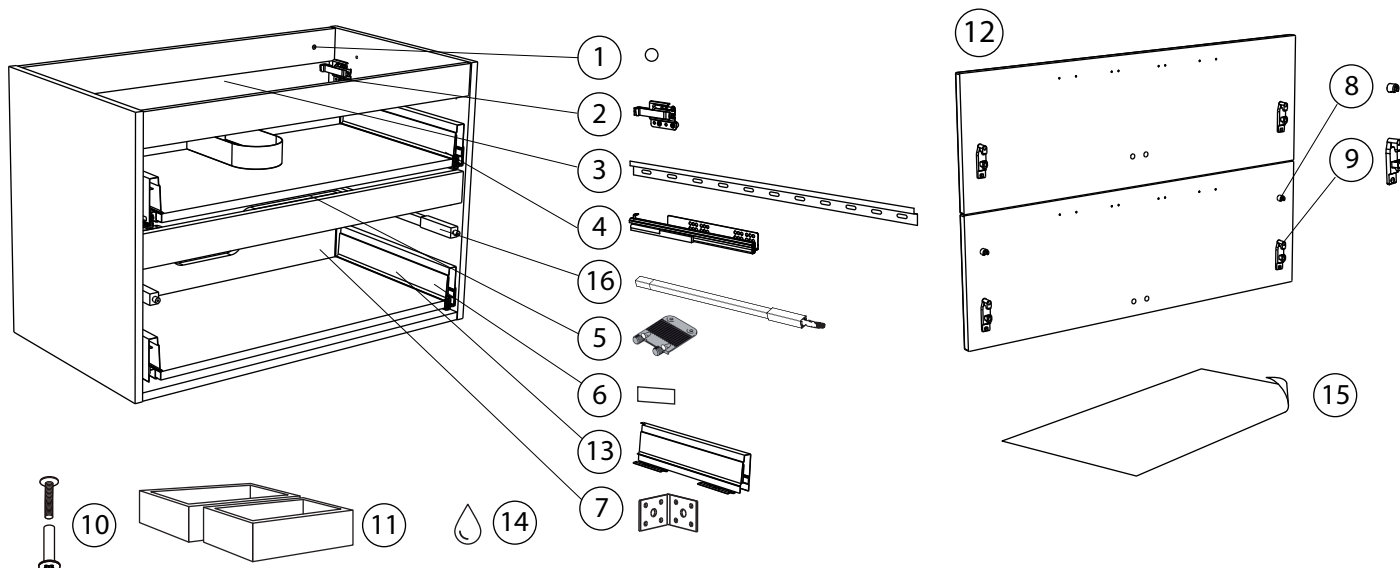


# Hafa® SUN, SHAPE

Art.no: 1390100, 1390101, 1390103, 1390104, 1390105, 1390106, 1390108, 1390109, 1390110, 1390111, 1390113, 1390114, 1390115, 1390116, 1390118, 1390119, 1390200, 1390201, 1390202, 1390203, 1390204, 1390205, 1390206, 1390207, 1390208, 1390209, 1390210, 1390211, 1390212, 1390213, 1390214, 1390215, 1390216, 1390217, 1390218, 1390219, 1390220, 1390221, 1390222, 1390223, 1390224, 1390225, 1390226, 1390227, 1390228, 1390229, 1390230, 1390231, 1390232, 1390233, 1390234, 1390235, 1390236, 1390237



|    | art      | beskrivning                            | description                             |
|----|----------|--|---|
| 1  | 9202025  | TÄCKBRICKA SJÄLVHÄFTANDE 12MM VIT      | COVER ADHESIVE MELAMINE 12MM WHITE      |
|    | 9210270  | TÄCKBRICKA SJÄLVHÄFTANDE 12MM GRÅ      | COVER ADHESIVE MELAMINE 12MM GREY       |
|    | 9210040  | TÄCKBRICKA SJÄLVHÄFTANDE 12MM ANTRACIT | COVER ADHESIVE MELAMINE 12MM ANTHRACITE |
| 2  | 90005002 | CAMAR UPPHÄNGNINGSBESLAG HÖGER         | CAMAR SUSPENSION RIGHT                  |
|    | 90005003 | CAMAR UPPHÄNGNINGSBESLAG VÄNSTER       | CAMAR SUSPENSION LEFT                   |
| 3  | 9204398  | UPPHÄNGNINGSSKENA 600                  | SUSPENSION RAIL 600                     |
|    | 90005048 | UPPHÄNGNINGSSKENA 800                  | SUSPENSION RAIL 800                     |
|    | 9204399  | UPPHÄNGNINGSSKENA 900                  | SUSPENSION RAIL 900                     |
|    | 90005049 | UPPHÄNGNINGSSKENA 1000                 | SUSPENSION RAIL 1000                    |
| 4  | 9203829  | LÅDSKENA D350MM HÖGER                  | DRAWER SLIDE D350MM RIGHT               |
|    | 9203831  | LÅDSKENA D350MM VÄNSTER                | DRAWER SLIDE D350MM LEFT                |
|    | 9210292  | LÅDSKENA D300MM (COMPACT) HÖGER        | DRAWER SLIDE D300MM (COMPACT) RIGHT     |
|    | 9210293  | LÅDSKENA D300MM (COMPACT) VÄNSTER      | DRAWER SLIDE D300MM (COMPACT) LEFT      |
| 5  | 9210028  | FRONT-BOTTEN FÄSTE BLUM                | FRONT-BOTTOM FASTENING BLUM             |
| 6  | 9202045  | HETTICH TÄCKBRICKA VIT                 | HETTICH COVER WHITE                     |
|    | 9202044  | HETTICH TÄCKBRICKA GRÅ                 | HETTICH COVER GREY                      |
| 7  | 9204119  | VINKELJÄRN UPPHÄNGNING                 | L-STEEL FOR SUSPENSION                  |
| 8  | 9202035  | FRONTFÄSTE RELING                      | FRONT FASTENING RAIL                    |
| 9  | 9202034  | FRONTFÄSTE LÅDSIDA                     | FRONT FASTENING DRAWER SIDE             |
| 10 | 9210039  | SKRUV MED HYLSA FÖR 2X16MM             | SCREW WITH SLEEVE FOR 2X16MM            |
| 11 | 7000229  | LÅDINREDNING RAMAR BAMBU               | DRAWER INSERTS BAMBOO FRAMES            |

**Hafa®**

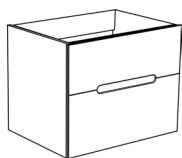
Hafa  
Svarvaregatan 5, Box 525  
SE-301 80 Halmstad  
SWEDEN

Garanti/Warranty.  
Service, reservdelar/spare parts  
Sweden: +46 (0)35 15 44 75  
Norway: +47 (0)69 31 02 30  
Finland: +358 (0)9 61500940

www.hafa.se  
www.hafa.dk  
www.hafabad.no  
www.hafa.se  
www.hafabathroom.ru  
www.hafa.eu

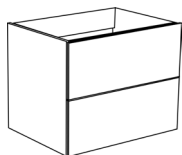
e-mail:  
service@hafa.se  
service@hafabad.no

## Hafa SUN



|         |                                     |  |  |
|---------|-------------------------------------|--|--|
| 12      | 7000044                             | FRONTER KOMMOD SUN VIT 600             | FRONTS UNDER CABINET SUN WHITE 600       |
|         | 7000045                             | FRONTER KOMMOD SUN ANTRACIT 600        | FRONTS UNDER CABINET SUN ANTHRACITE 600  |
|         | 7000047                             | FRONTER KOMMOD SUN GRÅ 600             | FRONTS UNDER CABINET SUN GREY 600        |
|         | 7000048                             | FRONTER KOMMOD SUN ASKMÖNSTRAD 600     | FRONTS UNDER CABINET SUN ASH FOIL 600    |
|         | 7000049                             | FRONTER KOMMOD SUN VIT 800             | FRONTS UNDER CABINET SUN WHITE 800       |
|         | 7000050                             | FRONTER KOMMOD SUN ANTRACIT 800        | FRONTS UNDER CABINET SUN ANTHRACITE 800  |
|         | 7000052                             | FRONTER KOMMOD SUN GRÅ 800             | FRONTS UNDER CABINET SUN GREY 800        |
|         | 7000053                             | FRONTER KOMMOD SUN ASKMÖNSTRAD 800     | FRONTS UNDER CABINET SUN ASH FOIL 800    |
|         | 7000054                             | FRONTER KOMMOD SUN VIT 900             | FRONTS UNDER CABINET SUN WHITE 900       |
|         | 7000055                             | FRONTER KOMMOD SUN ANTRACIT 900        | FRONTS UNDER CABINET SUN ANTHRACITE 900  |
|         | 7000057                             | FRONTER KOMMOD SUN GRÅ 900             | FRONTS UNDER CABINET SUN GREY 900        |
|         | 7000058                             | FRONTER KOMMOD SUN ASKMÖNSTRAD 900     | FRONTS UNDER CABINET SUN ASH FOIL 900    |
|         | 7000059                             | FRONTER KOMMOD SUN VIT 1000            | FRONTS UNDER CABINET SUN WHITE 1000      |
|         | 7000060                             | FRONTER KOMMOD SUN ANTRACIT 1000       | FRONTS UNDER CABINET SUN ANTHRACITE 1000 |
|         | 7000062                             | FRONTER KOMMOD SUN GRÅ 1000            | FRONTS UNDER CABINET SUN GREY 1000       |
| 7000063 | FRONTER KOMMOD SUN ASKMÖNSTRAD 1000 | FRONTS UNDER CABINET SUN ASH FOIL 1000 |  |

## Hafa SHAPE



|         |                                       |  |  |
|---------|---------------------------------------|--|--|
| 12      | 7000064                               | FRONTER KOMMOD SHAPE VIT 600             | FRONTS UNDER CABINET SHAPE WHITE 600         |
|         | 7000065                               | FRONTER KOMMOD SHAPE ANTRACIT 600        | FRONTS UNDER CABINET SHAPE ANTHRACITE 600    |
|         | 7000066                               | FRONTER KOMMOD SHAPE VITBLANK 600        | FRONTS UNDER CABINET SHAPE WHITE GLOSSY 600  |
|         | 7000067                               | FRONTER KOMMOD SHAPE GRÅ 600             | FRONTS UNDER CABINET SHAPE GREY 600          |
|         | 7000068                               | FRONTER KOMMOD SHAPE ASKMÖNSTRAD 600     | FRONTS UNDER CABINET SHAPE ASH FOIL 600      |
|         | 7000069                               | FRONTER KOMMOD SHAPE VIT 800             | FRONTS UNDER CABINET SHAPE WHITE 800         |
|         | 7000070                               | FRONTER KOMMOD SHAPE ANTRACIT 800        | FRONTS UNDER CABINET SHAPE ANTHRACITE 800    |
|         | 7000071                               | FRONTER KOMMOD SHAPE VITBLANK 800        | FRONTS UNDER CABINET SHAPE WHITE GLOSSY 80   |
|         | 7000072                               | FRONTER KOMMOD SHAPE GRÅ 800             | FRONTS UNDER CABINET SHAPE GREY 800          |
|         | 7000073                               | FRONTER KOMMOD SHAPE ASKMÖNSTRAD 800     | FRONTS UNDER CABINET SHAPE ASH FOIL 800      |
|         | 7000074                               | FRONTER KOMMOD SHAPE VIT 900             | FRONTS UNDER CABINET SHAPE WHITE 900         |
|         | 7000075                               | FRONTER KOMMOD SHAPE ANTRACIT 900        | FRONTS UNDER CABINET SHAPE ANTHRACITE 900    |
|         | 7000076                               | FRONTER KOMMOD SHAPE VITBLANK 900        | FRONTS UNDER CABINET SHAPE WHITE GLOSSY 900  |
|         | 7000077                               | FRONTER KOMMOD SHAPE GRÅ 900             | FRONTS UNDER CABINET SHAPE GREY 900          |
|         | 7000078                               | FRONTER KOMMOD SHAPE ASKMÖNSTRAD 900     | FRONTS UNDER CABINET SHAPE ASH FOIL 900      |
|         | 7000079                               | FRONTER KOMMOD SHAPE VIT 1000            | FRONTS UNDER CABINET SHAPE WHITE 1000        |
|         | 7000080                               | FRONTER KOMMOD SHAPE ANTRACIT 1000       | FRONTS UNDER CABINET SHAPE ANTHRACITE 1000   |
|         | 7000081                               | FRONTER KOMMOD SHAPE VITBLANK 1000       | FRONTS UNDER CABINET SHAPE WHITE GLOSSY 1000 |
|         | 7000082                               | FRONTER KOMMOD SHAPE GRÅ 1000            | FRONTS UNDER CABINET SHAPE GREY 1000         |
| 7000083 | FRONTER KOMMOD SHAPE ASKMÖNSTRAD 1000 | FRONTS UNDER CABINET SHAPE ASH FOIL 1000 |  |

**Hafa**<sup>®</sup>

Hafa  
Svarvaregatan 5, Box 525  
SE-301 80 Halmstad  
SWEDEN

Garanti/Warranty.  
Service, reservdelar/spare parts  
Sweden: +46 (0)35 15 44 75  
Norway: +47 (0)69 31 02 30  
Finland: +358 (0)9 61500940

www.hafa.se  
www.hafa.dk  
www.hafabad.no  
www.hafa.se  
www.hafabathroom.ru  
www.hafa.eu

e-mail:  
service@hafa.se  
service@hafabad.no

|         |                                       |   |  |
|---------|---------------------------------------|---|--|
| 13      | 9210365                               | LÅDSIDA D350 HÖGER VIT                    | DRAWER SIDE D350 RIGHT WHITE                   |
|         | 9210366                               | LÅDSIDA D350 VÄNSTER VIT                  | DRAWER SIDE D350 LEFT WHITE                    |
|         | 9210367                               | LÅDSIDA D350 HÖGER ANTRACIT               | DRAWER SIDE D350 RIGHT ANTHRACITE              |
|         | 9210368                               | LÅDSIDA D350 VÄNSTER ANTRACIT             | DRAWER SIDE D350 LEFT ANTHRACITE               |
|         | 9210369                               | LÅDSIDA D300 (COMPACT) HÖGER VIT          | DRAWER SIDE D300 (COMPACT) RIGHT WHITE         |
|         | 9210370                               | LÅDSIDA D300 (COMPACT) VÄNSTER VIT        | DRAWER SIDE D300 (COMPACT) LEFT WHITE          |
|         | 9210371                               | LÅDSIDA D300 (COMPACT) HÖGER ANTRACIT     | DRAWER SIDE D300 (COMPACT) RIGHT ANTHRACITE    |
|         | 9210372                               | LÅDSIDA D300 (COMPACT) VÄNSTER ANTRACIT   | DRAWER SIDE D300 (COMPACT) LEFT ANTHRACITE     |
| 14      | 9210073                               | BÄTTRINGSFÄRG VIT 0300-N 20-GLANS         | TOUCH UP PAINT WHITE 0300-N 20 GLOSS           |
|         | 9210074                               | BÄTTRINGSFÄRG ANTRACIT 8000-N 10 GLANS    | TOUCH UP PAINT ANTHRACITE 8000-N 10 GLOSS      |
|         | 9210073                               | BÄTTRINGSFÄRG GRÅ 4500-N                  | TOUCH UP PAINT GREY 4500-N                     |
|         | 9210074                               | BÄTTRINGSFÄRG VIT HÖGBL 0300-N 90 GLANS   | TOUCH-UP PAINT WHITE HIGH GLOSS 0300-N 90GLOSS |
| 15      | 9210340                               | LÅDMATTA NEDRE IBOX 600 VIT               | DRAWER MAT LOWER IBOX 600 WHITE                |
|         | 9210341                               | LÅDMATTA NEDRE IBOX 600 ANTRACIT          | DRAWER MAT LOWER IBOX 600 ANTHRACITE           |
|         | 9210342                               | LÅDMATTA ÖVRE IBOX 600 VIT                | DRAWER MAT UPPER IBOX 600 WHITE                |
|         | 9210343                               | LÅDMATTA ÖVRE IBOX 600 ANTRACIT           | DRAWER MAT UPPER IBOX 600 ANTHRACITE           |
|         | 9210344                               | LÅDMATTA NEDRE IBOX 800 VIT               | DRAWER MAT LOWER IBOX 800 WHITE                |
|         | 9210345                               | LÅDMATTA NEDRE IBOX 800 ANTRACIT          | DRAWER MAT LOWER IBOX 800 ANTHRACITE           |
|         | 9210346                               | LÅDMATTA ÖVRE IBOX 800 VIT                | DRAWER MAT UPPER IBOX 800 WHITE                |
|         | 9210347                               | LÅDMATTA ÖVRE IBOX 800 ANTRACIT           | DRAWER MAT UPPER IBOX 800 ANTHRACITE           |
|         | 9210348                               | LÅDMATTA NEDRE IBOX 900 VIT               | DRAWER MAT LOWER IBOX 900 WHITE                |
|         | 9210349                               | LÅDMATTA NEDRE IBOX 900 ANTRACIT          | DRAWER MAT LOWER IBOX 900 ANTHRACITE           |
|         | 9210350                               | LÅDMATTA ÖVRE IBOX 900 VIT                | DRAWER MAT UPPER IBOX 900 WHITE                |
|         | 9210351                               | LÅDMATTA ÖVRE IBOX 900 ANTRACIT           | DRAWER MAT UPPER IBOX 900 ANTHRACITE           |
|         | 9210352                               | LÅDMATTA NEDRE IBOX 1000 VIT              | DRAWER MAT LOWER IBOX 1000 WHITE               |
|         | 9210353                               | LÅDMATTA NEDRE IBOX 1000 ANTRACIT         | DRAWER MAT LOWER IBOX 1000 ANTHRACITE          |
|         | 9210354                               | LÅDMATTA ÖVRE IBOX 1000 VIT               | DRAWER MAT UPPER IBOX 1000 WHITE               |
|         | 9210355                               | LÅDMATTA ÖVRE IBOX 1000 ANTRACIT          | DRAWER MAT UPPER IBOX 1000 ANTHRACITE          |
|         | 9210356                               | LÅDMATTA NEDRE IBOX 600 COMP VIT          | DRAWER MAT LOWER IBOX 600 COMP WHITE           |
|         | 9210357                               | LÅDMATTA NEDRE IBOX 600 COMP ANTRACIT     | DRAWER MAT LOWER IBOX 600 COMP ANTHRACITE      |
|         | 9210358                               | LÅDMATTA ÖVRE IBOX 600 COMP VIT           | DRAWER MAT UPPER IBOX 600 COMP WHITE           |
|         | 9210359                               | LÅDMATTA ÖVRE IBOX 600 COMP ANTRACIT      | DRAWER MAT UPPER IBOX 600 COMP ANTHRACITE      |
| 9210360 | LÅDMATTA NEDRE IBOX 800 COMP VIT      | DRAWER MAT LOWER IBOX 800 COMP WHITE      |  |
| 9210361 | LÅDMATTA NEDRE IBOX 800 COMP ANTRACIT | DRAWER MAT LOWER IBOX 800 COMP ANTHRACITE |  |
| 9210362 | LÅDMATTA ÖVRE IBOX 800 COMP VIT       | DRAWER MAT UPPER IBOX 800 COMP WHITE      |  |
| 9210363 | LÅDMATTA ÖVRE IBOX 800 COMP ANTRACIT  | DRAWER MAT UPPER IBOX 800 COMP ANTHRACITE |  |



Hafa  
Svarvaregatan 5, Box 525  
SE-301 80 Halmstad  
SWEDEN

Garanti/Warranty.  
Service, reservdelar/spare parts  
Sweden: +46 (0)35 15 44 75  
Norway: +47 (0)69 31 02 30  
Finland: +358 (0)9 61500940

www.hafa.se  
www.hafa.dk  
www.hafabad.no  
www.hafa.se  
www.hafabathroom.ru  
www.hafa.eu

e-mail:  
service@hafa.se  
service@hafabad.no

|    |         |   |   |
|----|---------|---|---|
| 16 | 9210386 | LÅDRELING D350 HÖGER VIT                  | DRAWER RAIL D350 RIGHT WHITE                |
|    | 9210387 | LÅDRELING D350 VÄNSTER VIT                | DRAWER RAIL D350 LEFT WHITE                 |
|    | 9210388 | LÅDRELING D350 HÖGER ANTRACIT             | DRAWER RAIL D350 RIGHT ANTHRACITE           |
|    | 9210389 | LÅDRELING D350 VÄNSTER ANTRACIT           | DRAWER RAIL D350 LEFT ANTHRACITE            |
|    | 9210390 | LÅDRELING D300 (COMPACT) HÖGER VIT        | DRAWER RAIL D300 (COMPACT) RIGHT WHITE      |
|    | 9210391 | LÅDRELING D300 (COMPACT) VÄNSTER VIT      | DRAWER RAIL D300 (COMPACT) LEFT WHITE       |
|    | 9210392 | LÅDRELING D300 (COMPACT) HÖGER ANTRACIT   | DRAWER RAIL D300 (COMPACT) RIGHT ANTHRACITE |
|    | 9210393 | LÅDRELING D300 (COMPACT) VÄNSTER ANTRACIT | DRAWER RAIL D300 (COMPACT) LEFT ANTHRACITE  |



Hafa  
Svarvaregatan 5, Box 525  
SE-301 80 Halmstad  
SWEDEN

Garanti/Warranty.  
Service, reservdelar/spare parts  
Sweden: +46 (0)35 15 44 75  
Norway: +47 (0)69 31 02 30  
Finland: +358 (0)9 61500940

[www.hafa.se](http://www.hafa.se)  
[www.hafa.dk](http://www.hafa.dk)  
[www.hafabad.no](http://www.hafabad.no)  
[www.hafa.se](http://www.hafa.se)  
[www.hafabathroom.ru](http://www.hafabathroom.ru)  
[www.hafa.eu](http://www.hafa.eu)

e-mail:  
[service@hafa.se](mailto:service@hafa.se)  
[service@hafabad.no](mailto:service@hafabad.no)